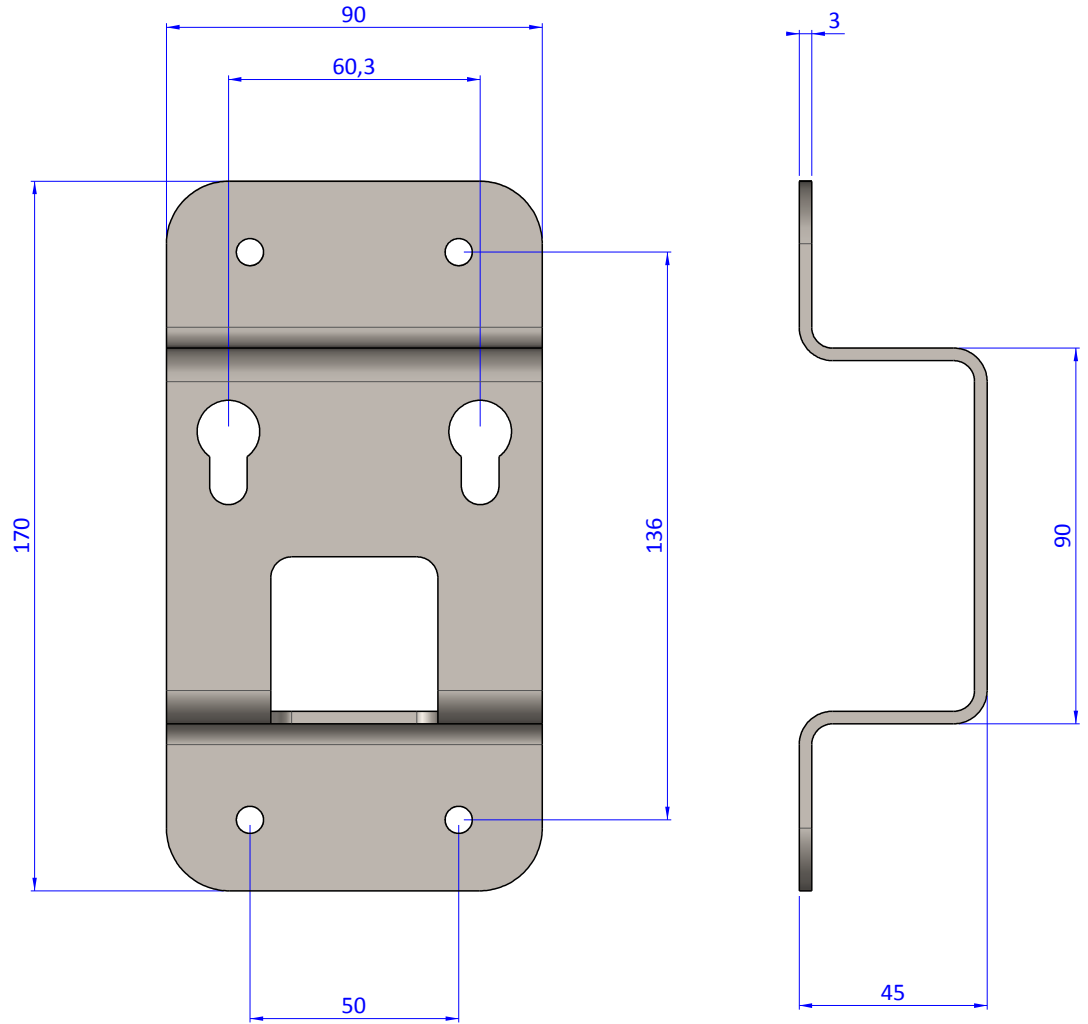
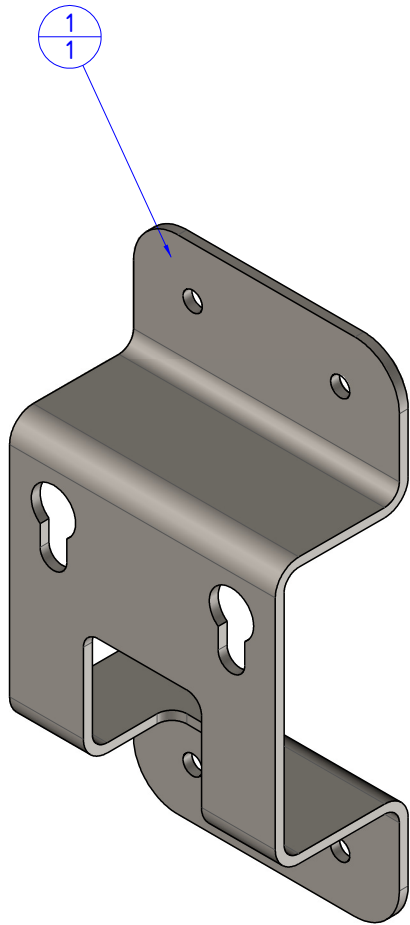



THE PROPERTY OF THE DRAWING IS ESTABLISHED BY LAW. IT IS FORBIDDEN TO PRODUCE OR SHOW IT TO THIRD PARTY, WITHOUT A WRITTEN AGREEMENT.

Item	Name	Q.ty
1	01.01.015	1



Format A3

UNI 936-76

 FPS SERVICES AUTOMATION		DESIGNED FROM FPS Automation		REVIEW A
GENERAL TOLERANCE UNI - ISO 2768 CLASSE f		DATE 24/09/2018	WEIGHT 0,440kg	
DESCRIPTION CA.01.01.015			CODE CA.01.01.015	